

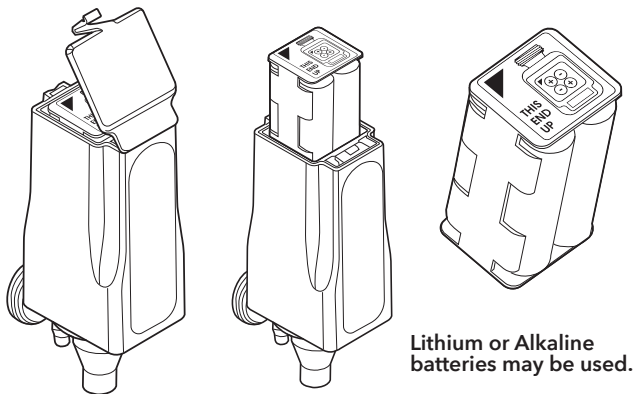
TOUCHLESS SPIGOT QUICKSTART GUIDE

For additional information
scan the QR code or visit:
<https://www.serviceideas.com/touchless-spig.html>

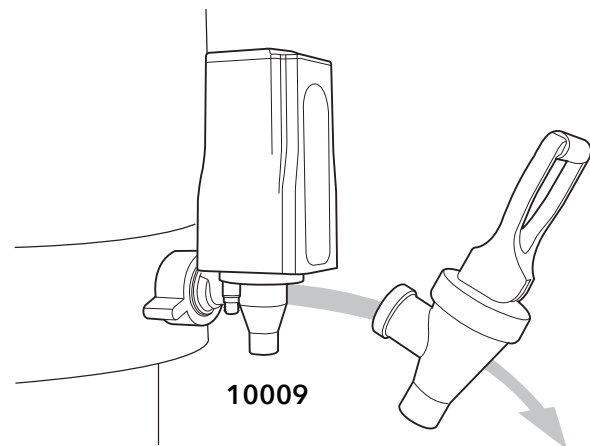


Get Started!

1. Remove top cap and install (4) AA batteries into the battery holder.



2. Install the DTV1 Touchless Valve onto the server



3. Turn on the device - press and hold the hidden on/off switch until LED illuminates

4. To use, hold cup under the spigot and within 5 seconds put your hand above the top sensor

GENERAL FUNCTIONS:

1. Top sensor
2. Hidden on/off switch
3. Red LED / battery status
4. Green LED / indicator
5. Manual pour switch
6. Bottom sensor

